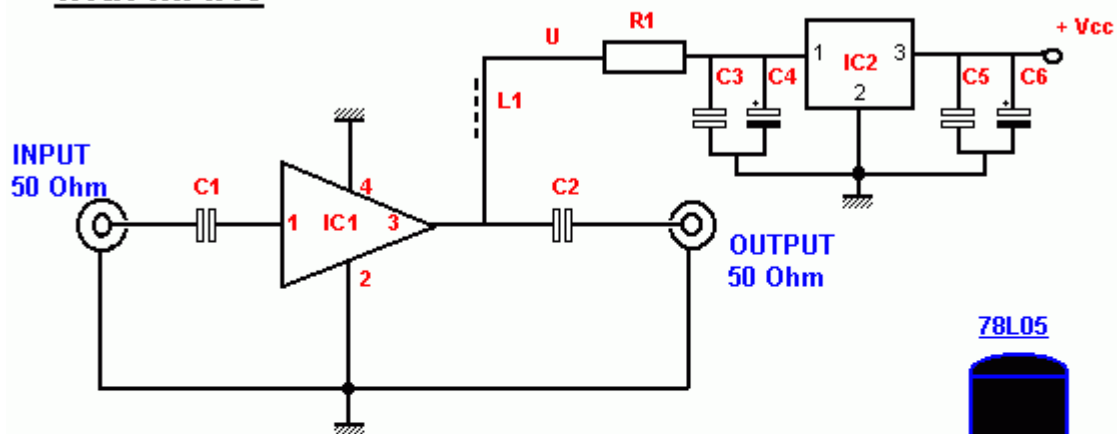


## Wideband VHF/UHF preAmp with MAR6

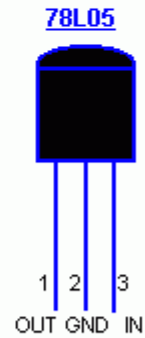
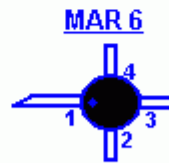


### Components

IC1 = MAR 6	R1 = 85 Ohm
IC2 = 78L05	L1 = 3 wnd 0,3 wire in a ferrite bead
C1,C2 = 1nF	
C3,C5 = 100nF	
C4,C6 = 10uF/16v	

### Specifications PreAmp

U=3,5 volts IC (Vcc 9...20volt)  
 I=15mA  
 F=28MHz...2GHz  
 Hfe= 19dB  
 Noise= 4dB



By OM1DHT