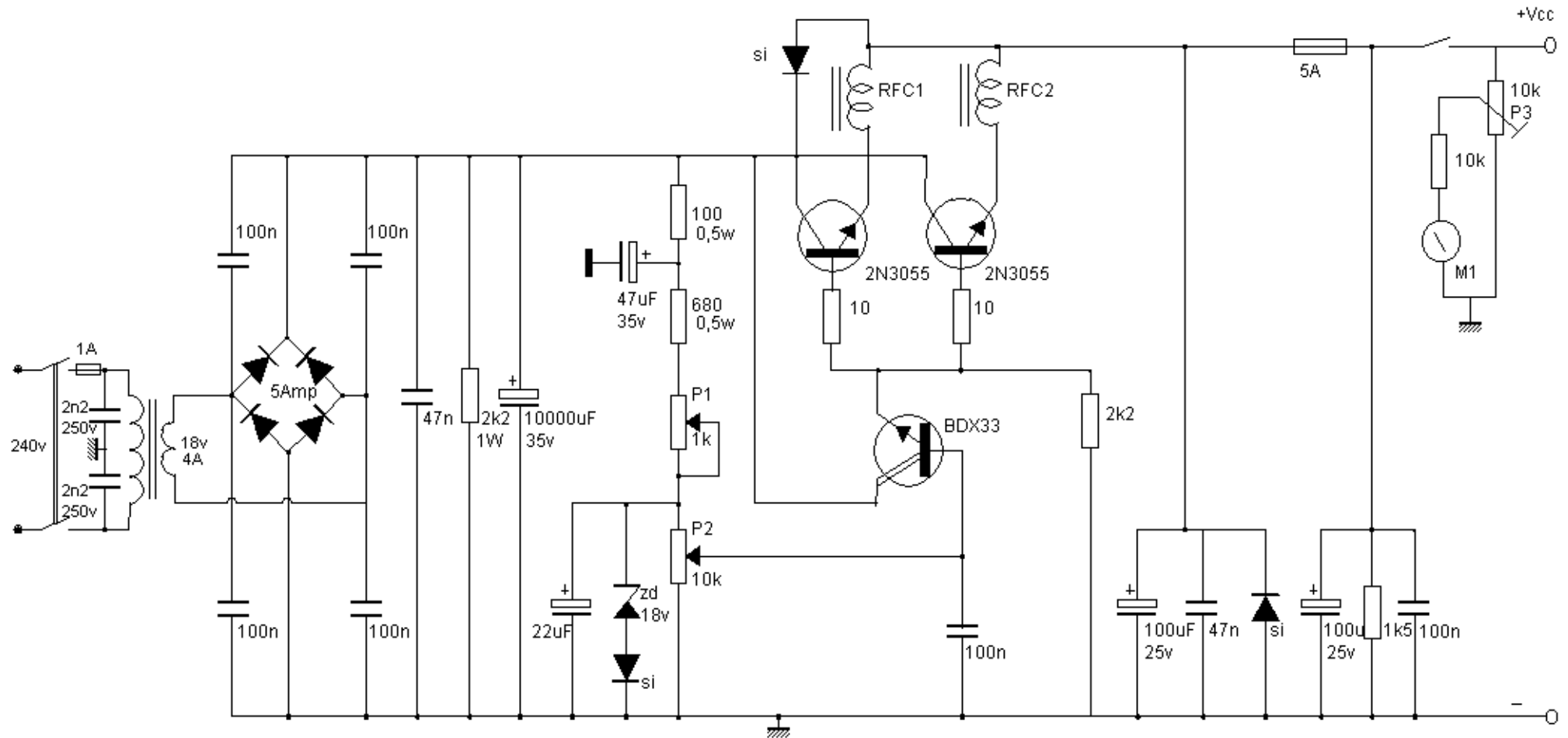


4 AMP / 18volts regulated powersupply, de ON1DHT



P1 = sets maximum current (if do not need or want to be able to decrease amperage, then you can remove P1 and connect P2 to the 680 Ohm resistor).

P2 = regulates output voltage between 0 and 18v DC.

P3 = trimmer to calibrate M1 voltage meter.

RFC1 & 2 = 20wnd 1mm on ferrite \varnothing 8mm.

Cool the two 2N3055 (large heatsink).