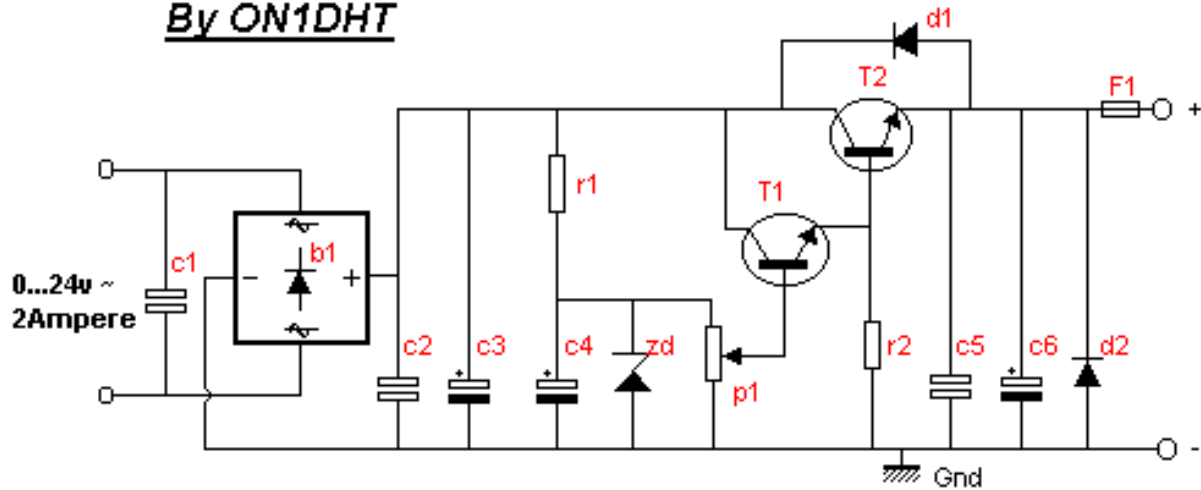


2A regulated powersupply 0...24v

By ON1DHT



T1 = BD135 , 2N2219 ...	c1,c5 = 100nF
T2 = 2N3055 (with cooling! op koelplaat!)	c3 = 4700uF/50v
r1 = 820 (1 watt)	c4 = 47uF/50v
r2 = 2k7	c6 = 100uF/24v
p1 = 4k7	F1 = 2A fuse
Zd = 24v/5watt	d1,d2 = si diode 1A/50v
	b1 = 3A/35v

Note: you can use this power supply for other voltages. Suppose you want a voltage regulatable power supply for max 15 volts/2A. Then you only need to change ZD and the transformer to one of 15 volts.

Nota: om dit schema te gebruiken voor een andere max. voltage, hoef je enkel de ZD (zenderdiode) en de transformator te veranderen in een 15volt exemplaar.