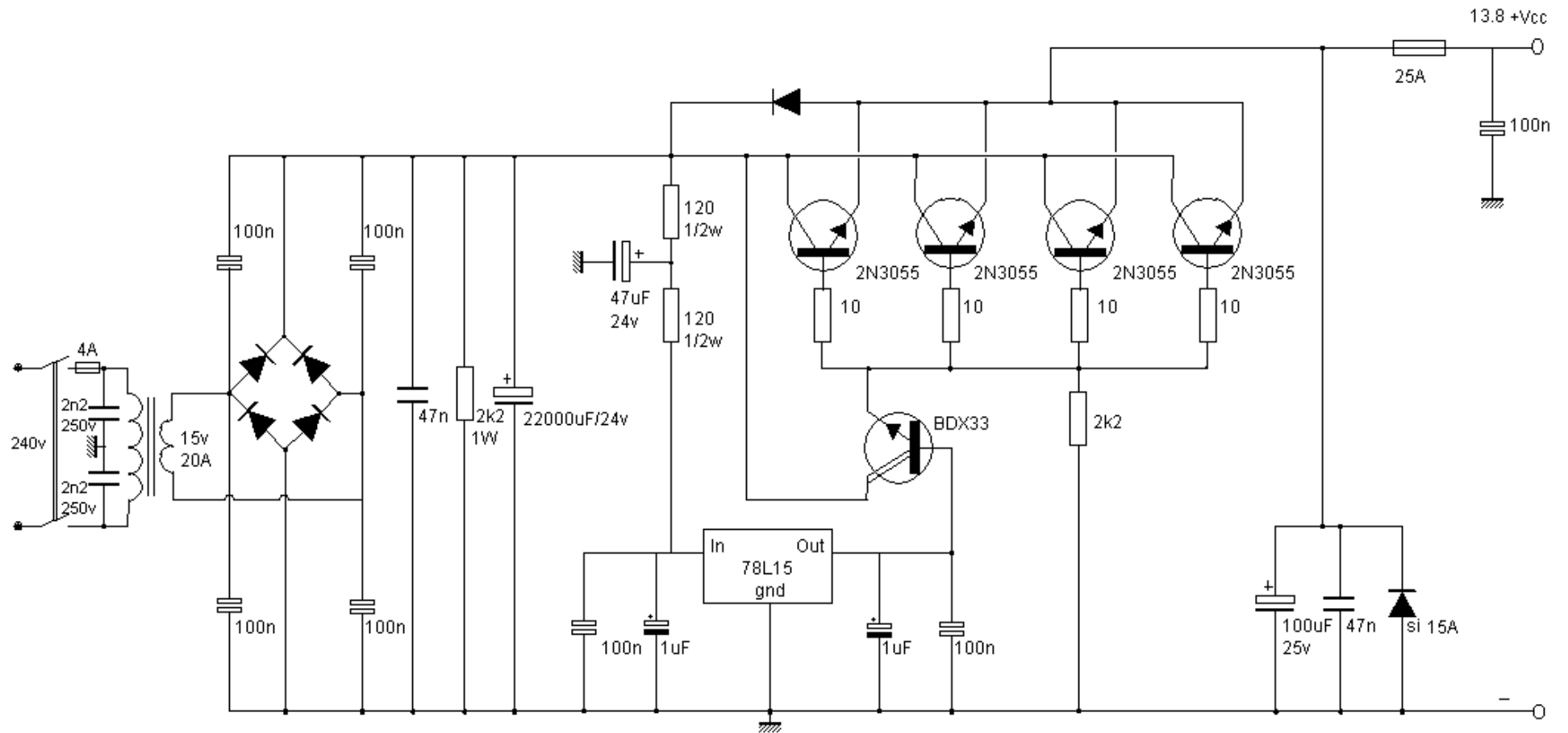


**20/22 Ampere 13.8volts powersupply, by ON1DHT**



Cool the 2N3055 (large heatsink).